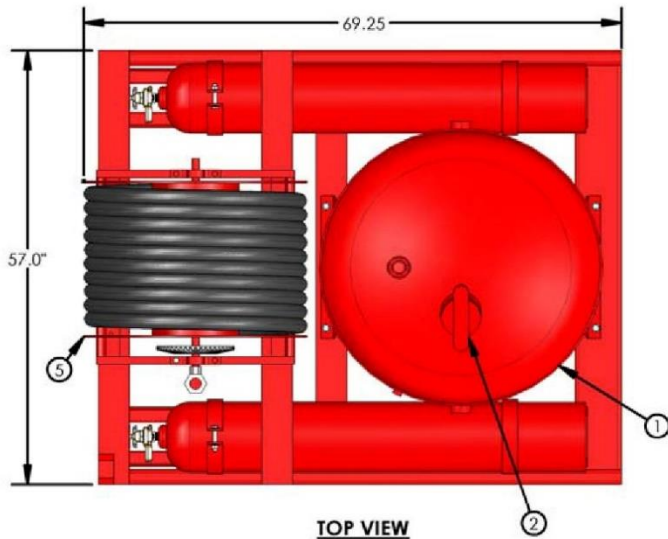
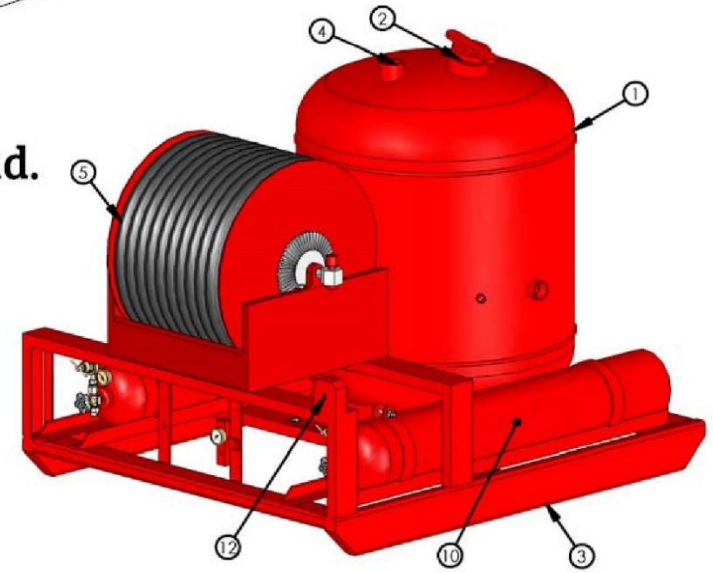




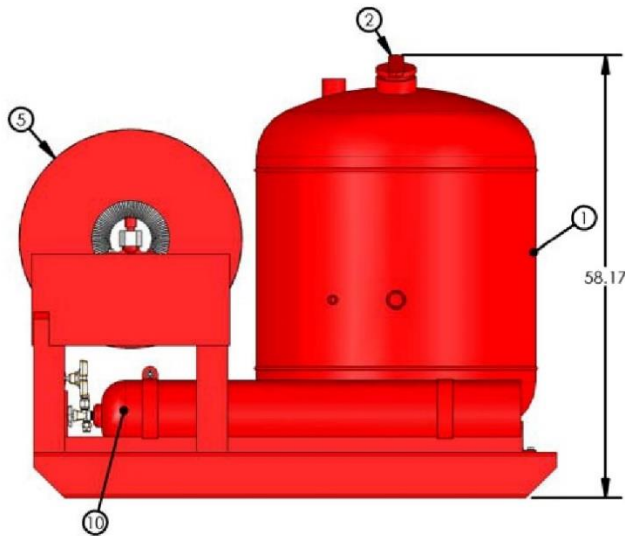
Quality is Behind the Diamond.



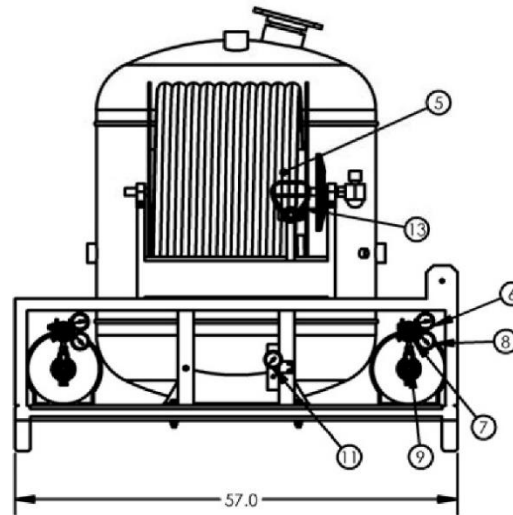
TOP VIEW



ISOMETRIC VIEW



SIDE VIEW



**AMEREX MODEL 902
1000 lb Dry Chemical Unit**

Empty Weight - 2,000 lbs.

Full Weight - 3,000 lbs.

ITEM NO.	UNIT DESCRIPTION
1	A.S.M.E. CODE CYLINDER
2	4" FILLER CAP
3	SKID ASSEMBLY
4	250 POP-OFF
5	HOSE REEL MANUAL REWIND W/ 100 FT 1" HOSE
6	REGULATOR PRESSURE GAUGE
7	NITROGEN REGULATOR
8	HIGH PRESSURE GAUGE
9	NITROGEN CYLINDER VALVE
10	NITROGEN CYLINDER
11	EXTINGUISHER PRESSURE GAUGE
12	MANUAL CONTROL VALVE
13	SHUT OFF