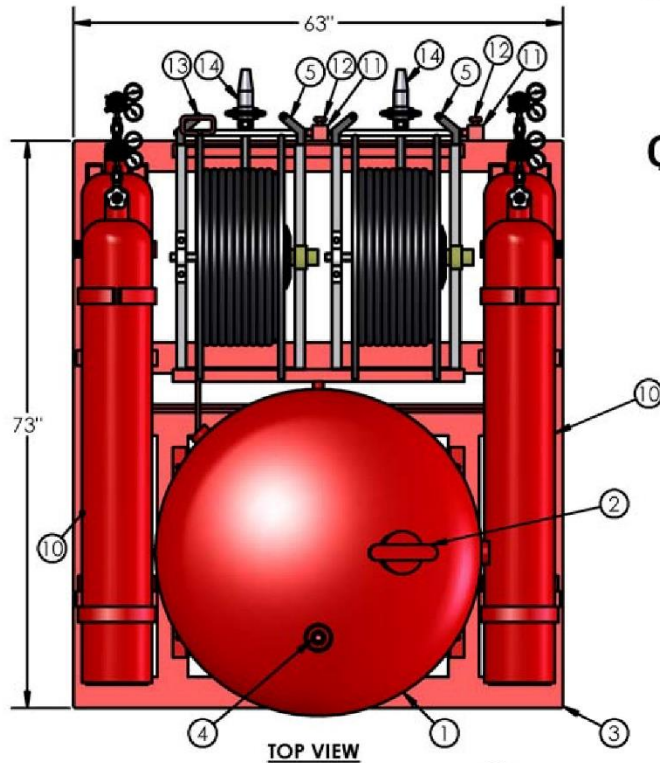
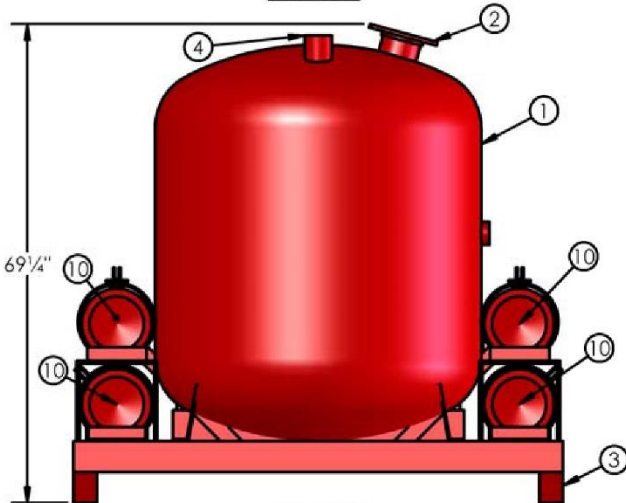




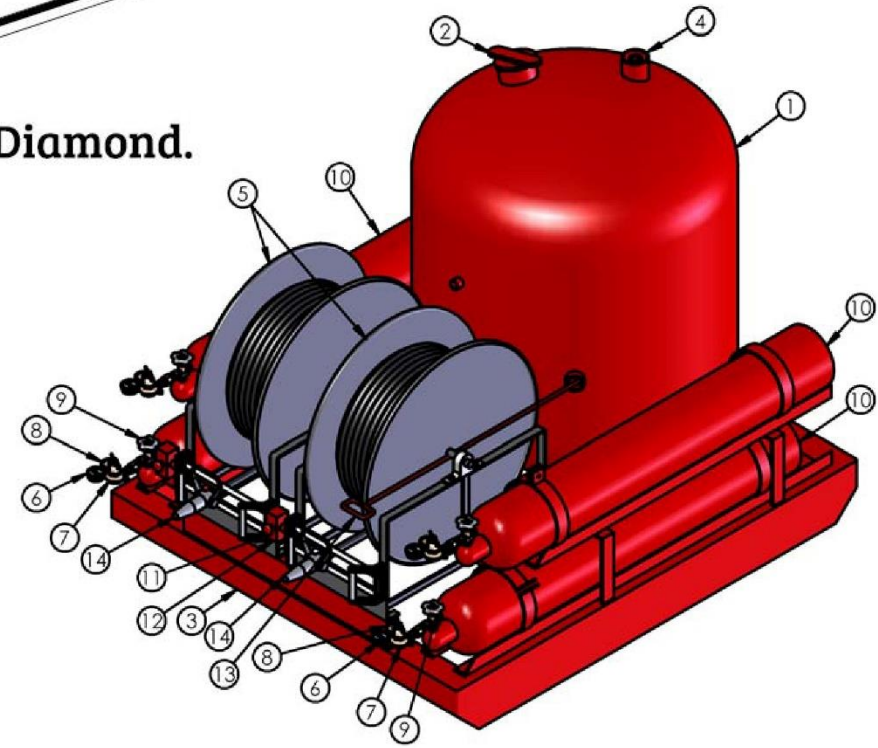
Quality is Behind the Diamond.



TOP VIEW



END VIEW



ISOMETRIC VIEW

**AMEREX MODEL 904
2000 LB DRY CHEMICAL UNIT**

EMPTY WEIGHT - 3,000 lbs

FULL WEIGHT - 5,000 lbs

ITEM NO.	UNIT DESCRIPTION
1	A.S.M.E. CODE CYLINDER - 42" O.D.
2	4" FILLER CAP
3	SKID ASSEMBLY
4	250 POP-OFF
5	HOSE REEL MANUAL REWIND W/ 100FT 1" HOSE
6	REGULATOR PRESSURE GAUGE
7	NITROGEN REGULATOR
8	HIGH PRESSURE GAUGE
9	NITROGEN CYLINDER VALVE
10	NITROGEN CYLINDER
11	NITROGEN MANIFOLD
12	EXTINGUISHER PRESSURE GAUGE
13	MANUAL CONTROL VALVE HOSE REEL
14	SHUT OFF