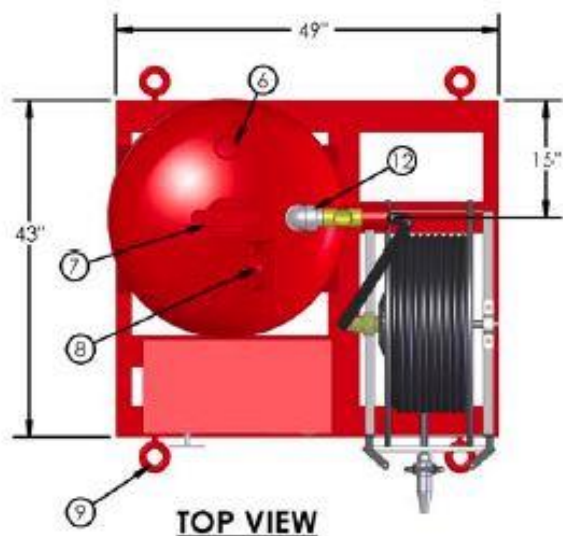
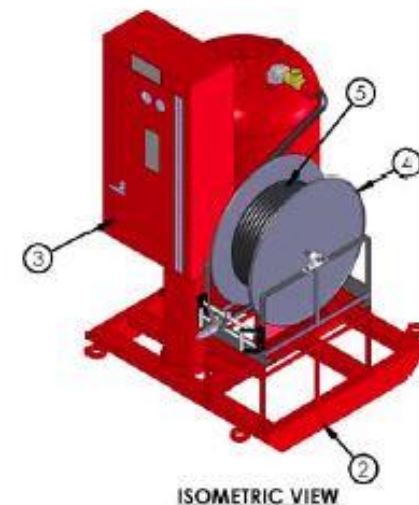




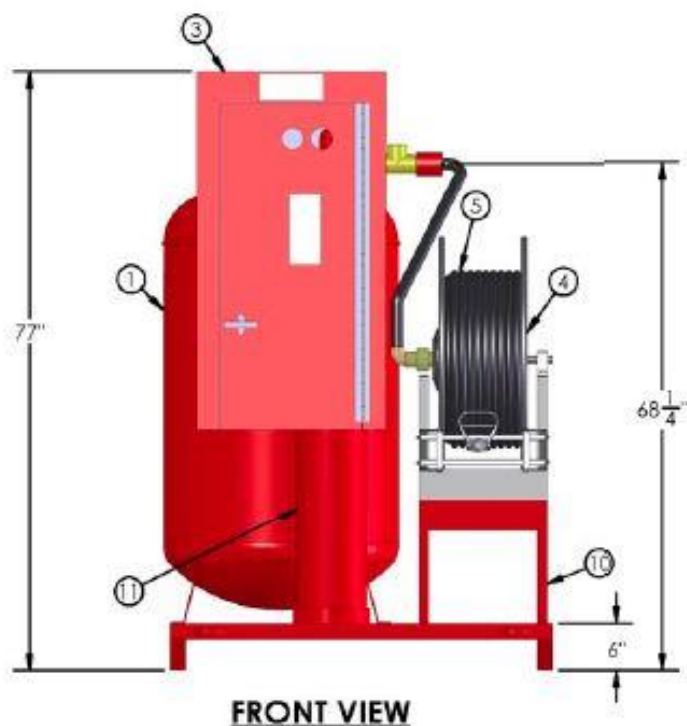
Quality is Behind the Diamond.



TOP VIEW



ISOMETRIC VIEW



FRONT VIEW

**AMEREX MODEL 941
150 GALLON AFFF UNIT WITH HOSE REEL**

EMPTY WEIGHT - 1,450 lbs

FULL WEIGHT - 2,695 lbs

ITEM NO.	UNIT DESCRIPTION
1	A.S.M.E. CODE CONTAINER - 30" O.D.
2	UNIT SKID
3	UNIT CABINET
4	HOSE REEL ASSEMBLY
5	100 FT. SECTION 1" I.D. HOSE WITH SHUTOFF & TIP
6	SAFETY POP-OFF 250 PSI
7	4" FILLER CAP
8	LIFTING EYELET
9	TOW EYELET
10	ELEVATED HOSE REEL STAND
11	300 CU. FT. NITROGEN CYLINDER
12	2" DISCHARGE