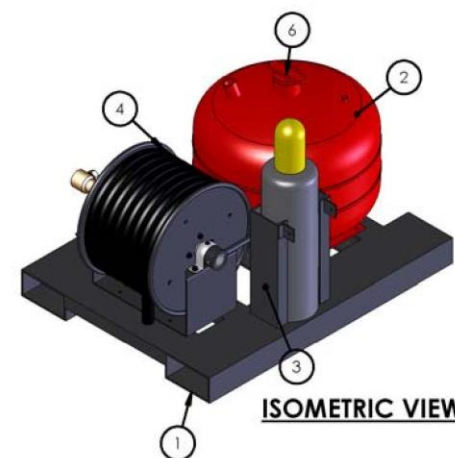
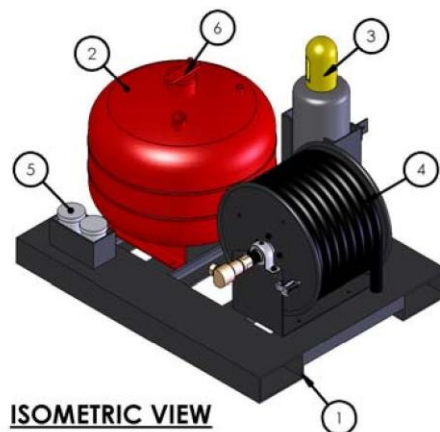
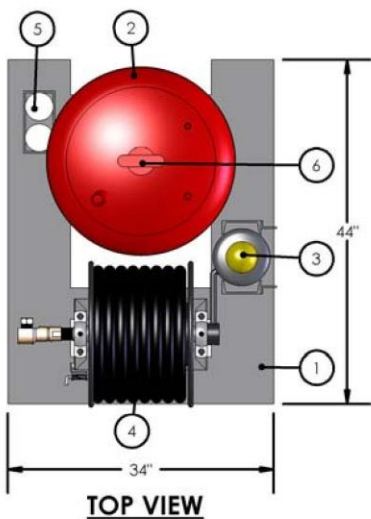




Quality is Behind the Diamond.

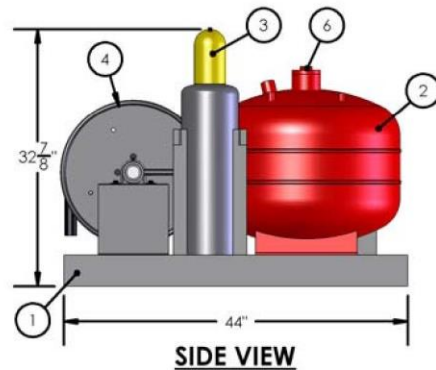
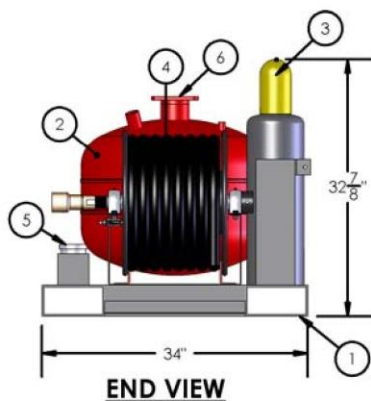


AMEREX MODEL 962

30 Gallon CAFS Unit

Empty Weight - 316 lbs.

Full Weight - 566 lbs.



ITEM No.	UNIT DESCRIPTION
1	ALUMINUM SKID W/ COMMERCIAL FORKLIFT CAPABILITIES
2	30 GALLON CAFS VESSEL
3	CAFS 1-55 CF EXPELLANT BOTTLES W/ SAFETY CAP
4	HOSE REEL W/ 50 FT. 1" HOSE
5	(2) ADDITIONAL FOAM CHARGES
6	FILL CAP