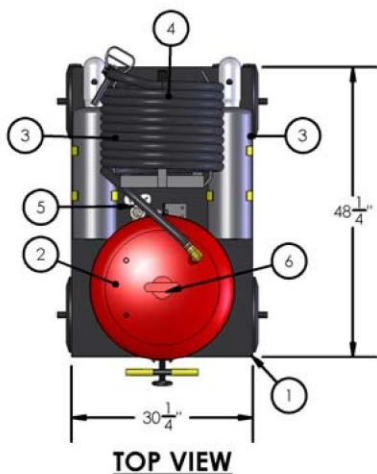
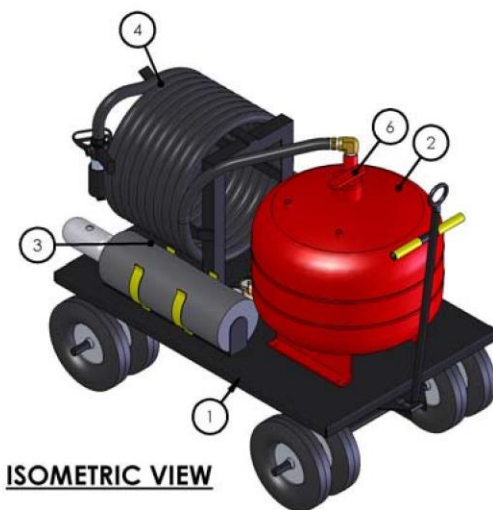




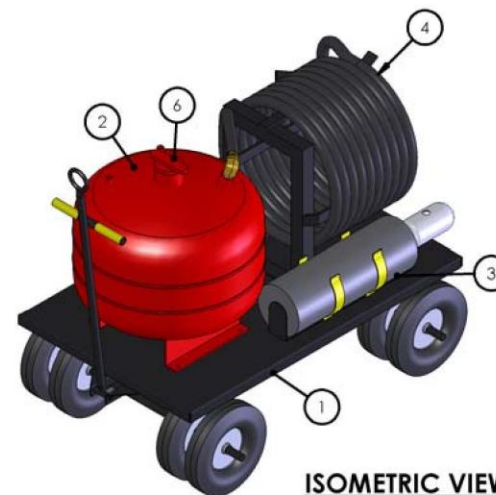
Quality is Behind the Diamond.



TOP VIEW



ISOMETRIC VIEW

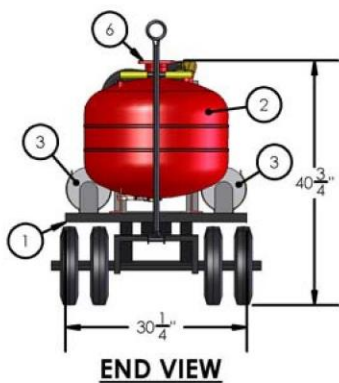


ISOMETRIC VIEW

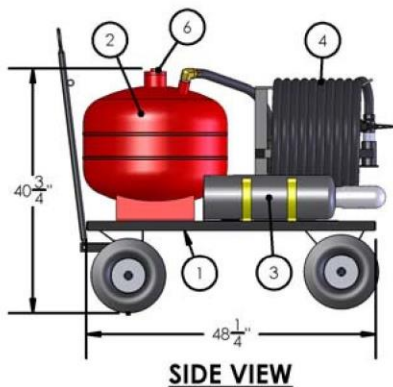
AMEREX MODEL 963
30 Gallon 8 Wheeled Cart CAFS Unit

Empty Weight - 386 lbs.

Full Weight - 636 lbs.



END VIEW



SIDE VIEW

ITEM No.	UNIT DESCRIPTION
1	8 WHEELED CART
2	30 GALLON CAFS VESSEL
3	2-55 CF EXPELLANT BOTTLES W/ SAFETY CAPS - ONE SPARE
4	HOSE RACK W/ 50 FT. 1" W/ SHUT OFF AND TIP
5	HARRIS 3500 BRASS REGULATOR
6	FILL CAP