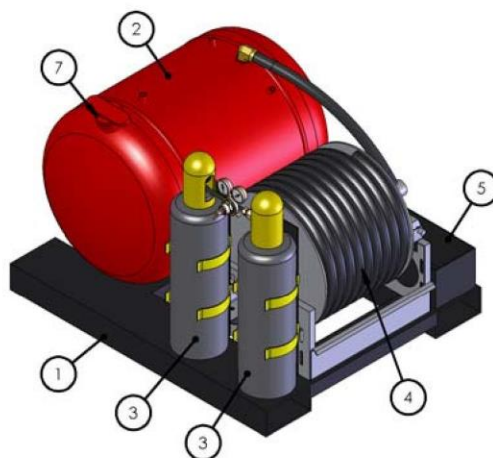
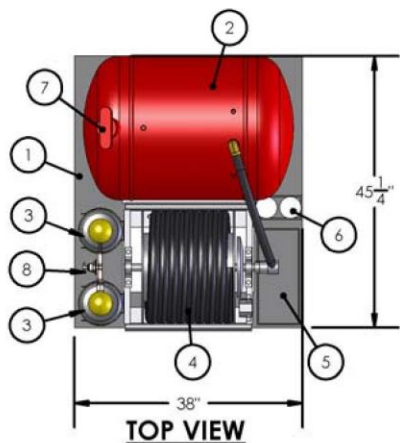
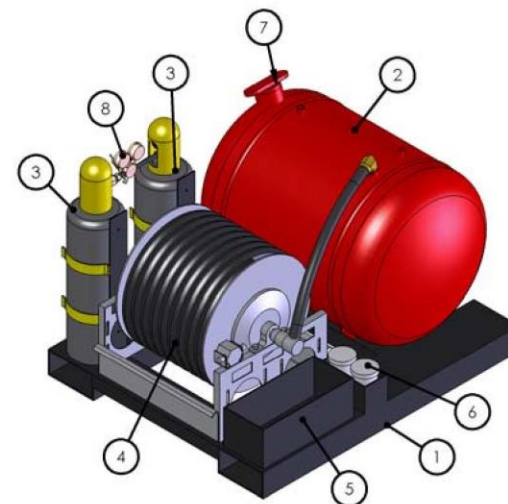




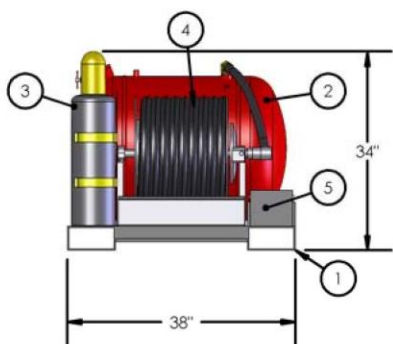
Quality is Behind the Diamond.



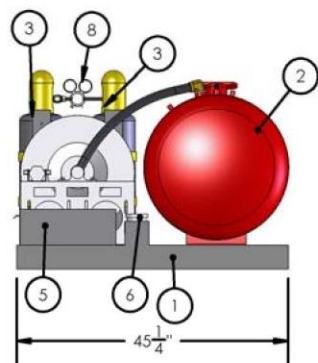
ISOMETRIC VIEW



ISOMETRIC VIEW



FRONT VIEW



SIDE VIEW

AMEREX MODEL 964

60 Gallon CAFS Unit

Empty Weight - 488 lbs.

Full Weight - 988 lbs.

ITEM No.	UNIT DESCRIPTION
1	ALUMINUM SKID W/ COMMERCIAL FORKIFIT CAPABILITIES
2	60 GALLON CAFS VESSEL
3	2-55 CF EXPELLANT BOTTLES
4	HOSE REEL W/ 100 FT. 1" HOSE W/ SHUT OFF AND TIP
5	TOOL BOX
6	EXTRA CHARGES
7	FILL CAP
8	HARRIS BRASS REGULATOR