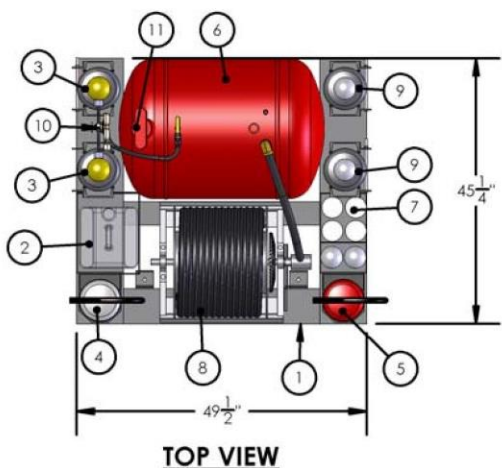
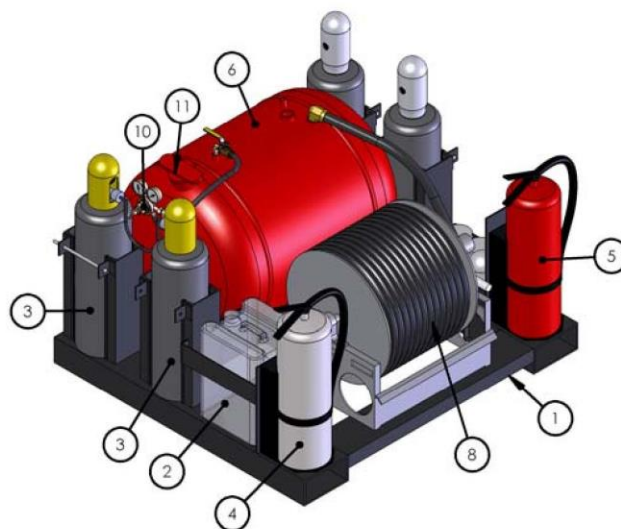




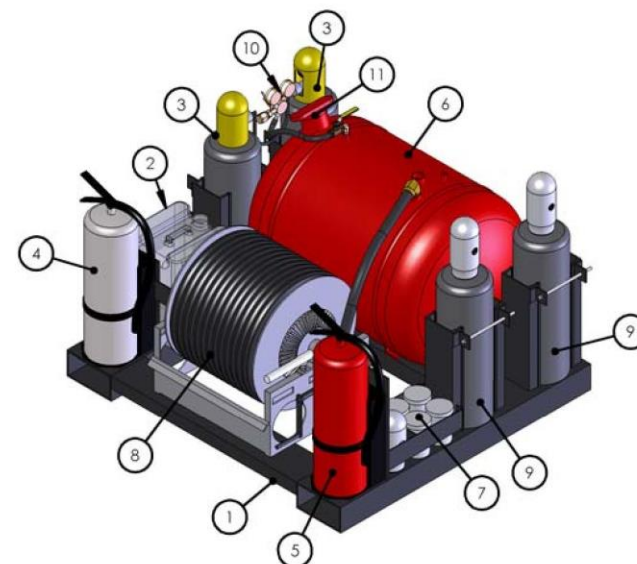
Quality is Behind the Diamond.



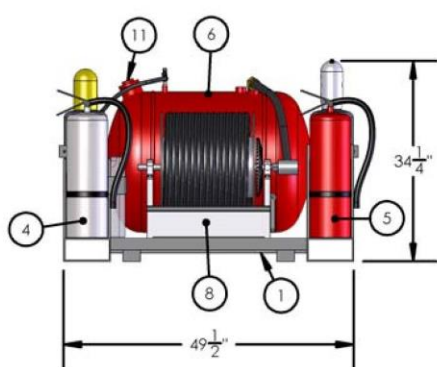
TOP VIEW



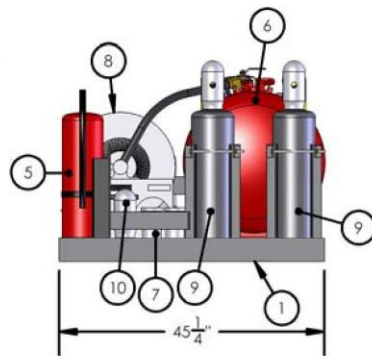
ISOMETRIC VIEW



ISOMETRIC VIEW



FRONT VIEW



SIDE VIEW

**AMEREX MODEL 965
60 GALLON MILITARY STYLE
CAFS UNIT**

Empty Weight - 690 lbs.

Full Weight - 1,190 lbs.

ITEM NO.	UNIT DESCRIPTION
1	ALUMINUM SKID W/ COMMERCIAL FORKLIFT CAPABILITIES
2	5 GALLON FOAM CONTAINER
3	(2) 55 CU.FT. AIR BOTTLE AND REGULATOR WITH SAFETY CAP
4	2 1/2" GALLON WATER FIRE EXTINGUISHER WITH BRACKET
5	20 LBS ABC FIRE EXTINGUISHER WITH BRACKET
6	60 GALLON STORED ENERGY CAFS TANK
7	PRE-MEASURED FOAM CONTAINER - 2 CHARGES
8	HOSE REEL WITH 1" x 100 FT LONG HOSE WITH SHUT OFF AND TIP
9	(2) SPARE 55 CU.FT. BOTTLE
10	HARRIS 3500 BRASS REGULATOR
11	FILL CAP