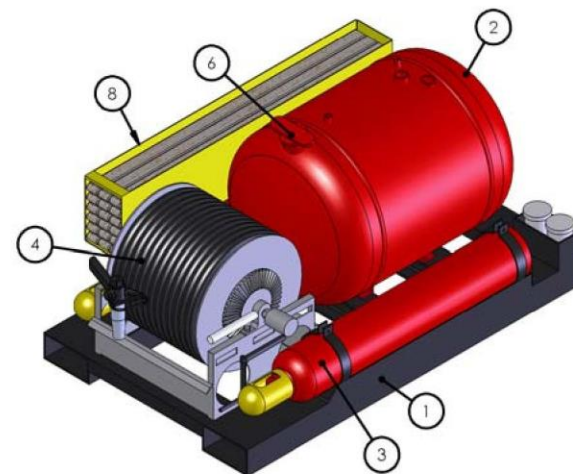
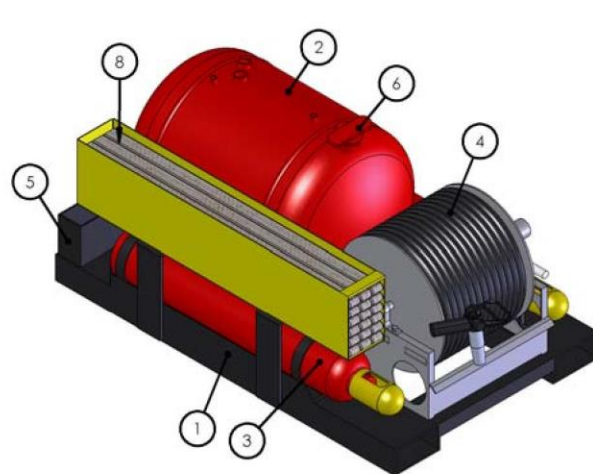
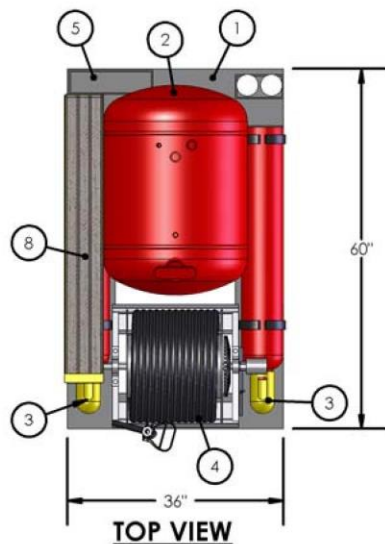


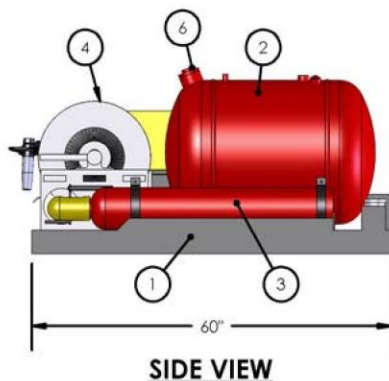
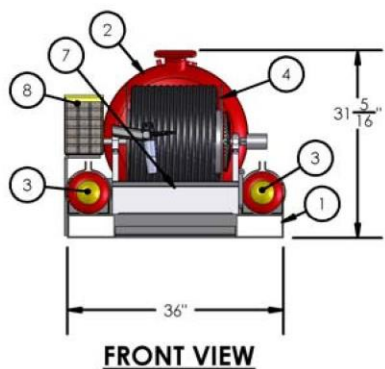


Quality is Behind the Diamond.



ISOMETRIC VIEW

ISOMETRIC VIEW



AMEREX MODEL 966
60 Gallon CAFS Unit

Empty Weight - 700 lbs.

Full Weight - 1,200 lbs.

ITEM No.	UNIT DESCRIPTION
1	ALUMINUM SKID W/ COMMERCIAL FORKIFIT CAPABILITIES
2	60 GALLON CAFS VESSEL
3	2-110 CF EXPELLANT BOTTLES, 150 BAR
4	HOSE REEL W/ 100 FT. - 30M, 1" HOSE W/ SHUT OFF AND TIP
5	TOOL BOX
6	FILL CAP
7	1" DRAIN
8	100 FT. - 1½" HOSE W/ SHUT OFF AND TIP