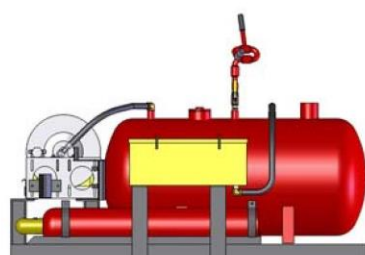
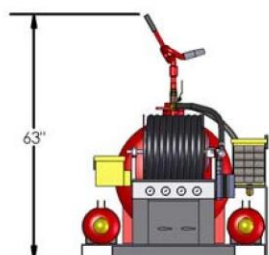
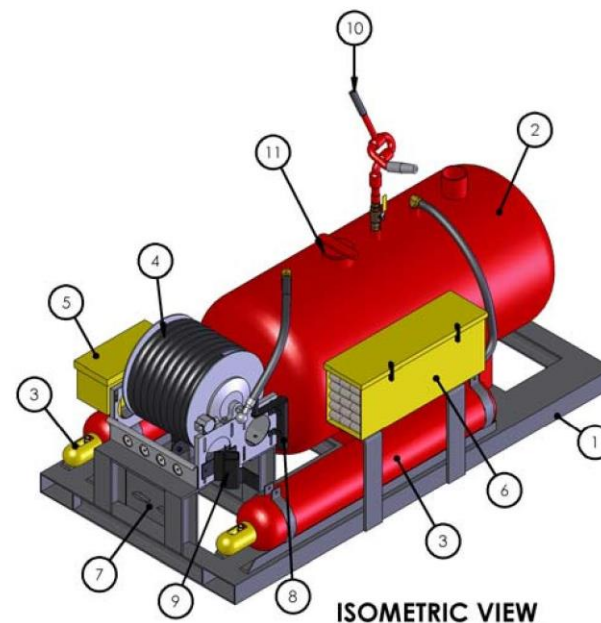
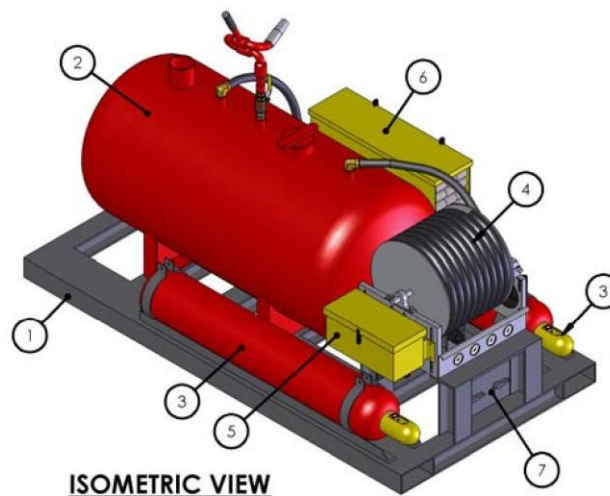
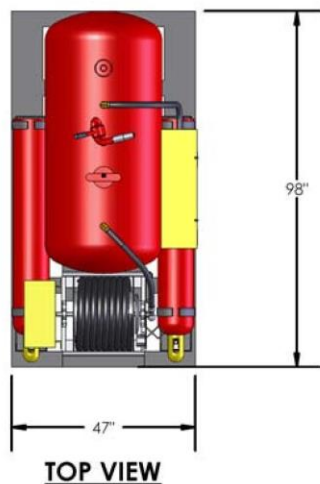




Quality is Behind the Diamond.



AMEREX MODEL 968
200 Gallon CAFS Unit

Empty Weight - 1,386 lbs.

Full Weight - 3,052 lbs.

ITEM No.	UNIT DESCRIPTION
1	ALUMINUM SKID W/ COMMERCIAL FORKLIFT CAPABILITIES
2	200 GALLON CAFS VESSEL
3	(2) 300 CF EXPELLANT BOTTLES
4	HOSE REEL W/ 100 FT. 1" HOSE W/ SHUT OFF TIP.
5	TOOL BOX
6	HOSE STORAGE BOX W/ 100 FT 1 1/2" HOSE W/ SHUTOFF AND TIP
7	CONTROL PANEL
8	REEL CRANK HOLDER
9	SHUTOFF HOLDER
10	DECK GUN - OPTIONAL
11	FILL CAP