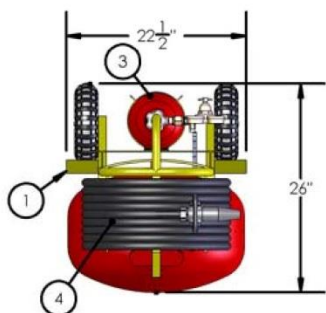
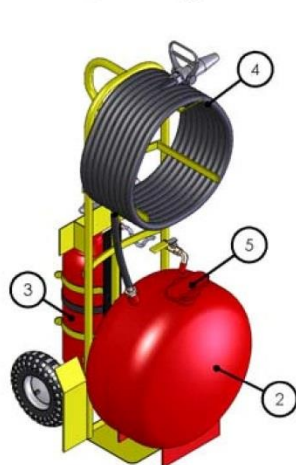




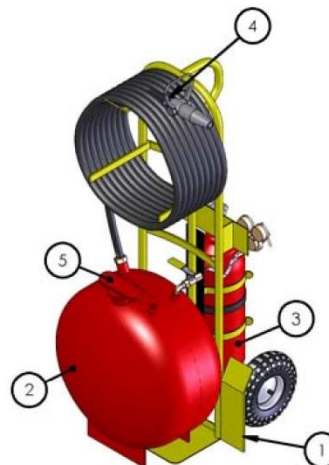
Quality is Behind the Diamond.



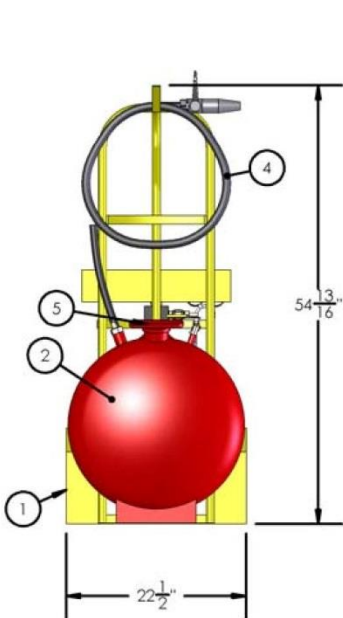
TOP VIEW



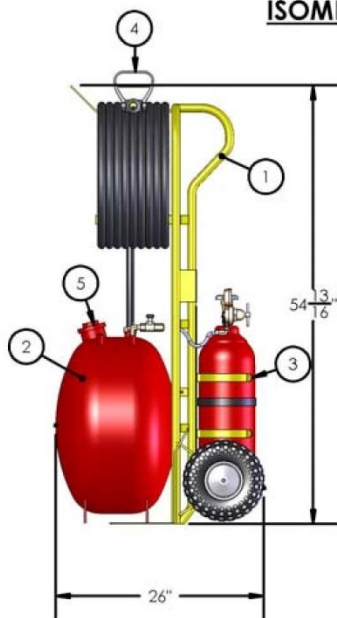
ISOMETRIC VIEW



ISOMETRIC VIEW



END VIEW



SIDE VIEW

AMEREX MODEL 959
16 Gallon CAFS Unit

Empty Weight - 208 lbs.

Full Weight - 300 lbs.

ITEM No.	UNIT DESCRIPTION
1	2 WHEEL HEAVY DUTY CART W/ 13" TIRES
2	16 GALLON CAFS VESSEL
3	CAFS 55 CF EXPELLANT BOTTLE
4	HOSE RACK W/ 50FT. 1" HOSE W/ SHUT OFF AND TIP
5	2 1/2" FILL CAP