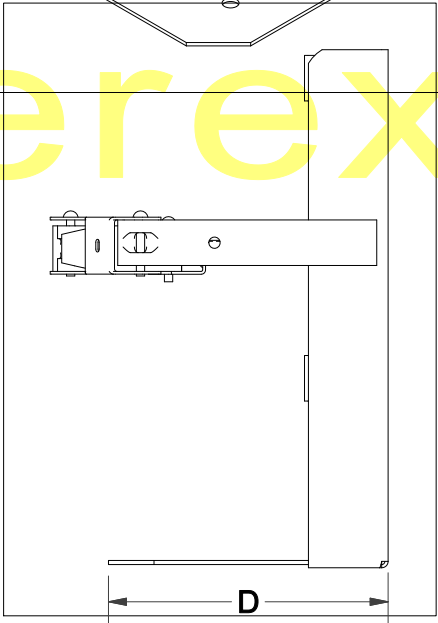
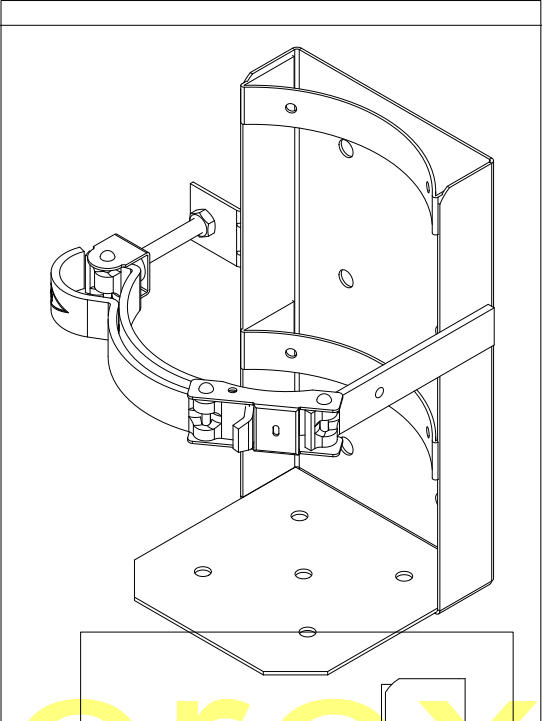
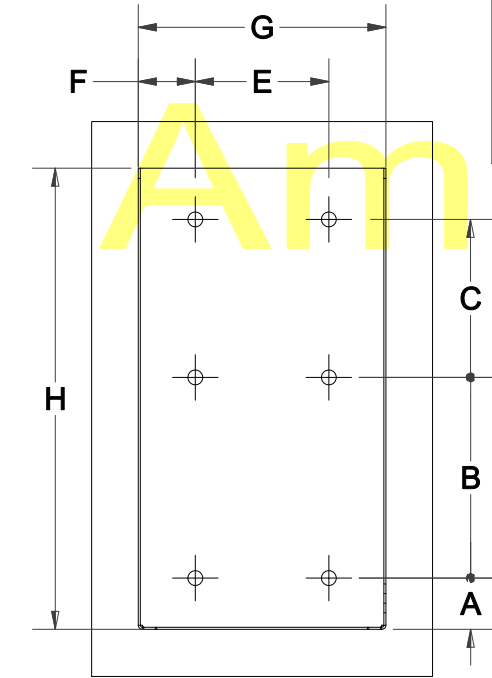


AMEREX BOX TYPE BRACKETS					
	807	809	810	811	812
A	1 $\frac{3}{8}$	1 $\frac{31}{64}$	1 $\frac{1}{2}$	2 $\frac{1}{4}$	1 $\frac{7}{16}$
B	3 $\frac{1}{2}$	4 $\frac{1}{4}$	5 $\frac{7}{8}$	5 $\frac{1}{8}$	4 $\frac{1}{2}$
C	3 $\frac{1}{2}$	3 $\frac{5}{8}$	4 $\frac{5}{8}$	4 $\frac{5}{8}$	3 $\frac{1}{2}$
E	2 $\frac{1}{2}$	2 $\frac{3}{4}$	3 $\frac{29}{32}$	5 $\frac{1}{8}$	3
F	1 $\frac{1}{32}$	1 $\frac{3}{8}$	1 $\frac{43}{64}$	1 $\frac{1}{2}$	1 $\frac{19}{32}$
G	4 $\frac{35}{64}$	5 $\frac{1}{2}$	7 $\frac{1}{4}$	8 $\frac{3}{16}$	6 $\frac{3}{16}$
H	10 $\frac{3}{8}$	11 $\frac{5}{16}$	13 $\frac{1}{2}$	17 $\frac{1}{2}$	11 $\frac{3}{8}$
W	6 $\frac{3}{4}$	7 $\frac{3}{8}$	9 $\frac{3}{8}$	9 $\frac{3}{4}$	8 $\frac{5}{8}$
D	5 $\frac{1}{8}$	5 $\frac{3}{8}$	7 $\frac{1}{8}$	8 $\frac{1}{8}$	6 $\frac{3}{16}$



NOTES:

- ALL BRACKET BACK HOLE DIAMETERS ARE $\frac{7}{16}$.
- HOLE PATTERN FOR THE 809G IS IDENTICAL TO 809.
- HOLE PATTERNS FOR THE 810CG AND 810G ARE IDENTICAL TO 810.
- HOLE PATTERN FOR THE 811G IS IDENTICAL TO 811.

THIS DRAWING IS THE EXCLUSIVE AND CONFIDENTIAL PROPERTY OF AMEREX CORP. IT SHALL NOT BE DUPLICATED, USED OR DISCLOSED TO OTHERS WITHOUT THE EXPRESS WRITTEN CONSENT OF AMEREX CORPORATION.

A	UPDATED 809 AND 811 DIMENSIONS	GJ		11-14-11	MATERIAL NOTED	NEXT ASSEM. NO.	AMEREX CORP. TRUSSVILLE, ALABAMA			
REV	DRAWING CHANGE	BY	ECN#	DATE	DWN BY G.JONES	CKD	Title CHART HOLE PATTERN HD BKT		DWG NO.	REV.
CRITICAL INSPECTION ITEMS DENOTED BY					SCALE 3/16	DATE 6/7/2011			21490	A
FRAC. ±0.020		2 PL. DEC. ±0.010		3 PL. DEC. ±0.003	TIR					