



OWNERS SERVICE MANUAL

NO. 08220

INSTALLATION, OPERATING AND SERVICING INSTRUCTIONS for AMEREX MODEL 570/B570 30 POUND (13.6 KG) CLASS D STORED PRESSURE FIRE EXTINGUISHER

SODIUM CHLORIDE FOR COMBUSTIBLE METAL FIRES

FACTORY MUTUAL APPROVED

RECHARGE FIRE EXTINGUISHERS IMMEDIATELY AFTER ANY USE

All fire extinguishers should be installed, inspected and maintained in accordance with the National Fire Protection Association standard titled "Portable Fire Extinguishers", NFPA-10 and the requirements of local authorities having jurisdiction.

When maintenance is indicated it should be performed by trained persons having proper equipment. Fire extinguishers are pressure vessels and must be treated with respect and handled with care. They are mechanical devices and require periodic maintenance to insure that they are ready to operate properly and safely. Amerex strongly recommends that the maintenance of portable fire extinguishers is done by a trained professional – your local authorized Amerex Distributor.

Amerex Corporation makes original factory parts available to insure proper maintenance – use of substitute parts releases Amerex of its warranty obligations. Amerex parts have machined surfaces and threads that are manufactured to exacting tolerances. O-rings, hoses, nozzles, horns and all metal parts meet precise specifications and are subjected to multiple in-house inspections and tests for acceptability. There are substitute parts available that are incorrectly labeled as FM component parts, some are advertised as Amerex type. None of these meet FM requirements and all of them void the Amerex extinguisher warranty and FM listing. DO NOT SUBSTITUTE.

REFERENCES IN THIS MANUAL:

NFPA-10 Portable Fire Extinguishers

CGA C-1 Methods for Hydrostatic Testing of Compressed Gas Cylinders

CGA C-6 Standard for Visual Inspection of Compressed Gas Cylinders

AVAILABLE FROM:

National Fire Protection Association
1 Batterymarch Park
Quincy, MA 02269

Compressed Gas Association, Inc.
1235 Jefferson Davis Highway, Suite 101
Arlington, VA 22202

AMEREX CORPORATION – P.O. BOX 81 – TRUSSVILLE, ALABAMA 35173-0081

Phone: 205/655-3271 Fax: 205/655-5112

e-mail: sales@amerex-fire.com Web Page: <http://www.amerex-fire.com>

INTRODUCTION

The Amerex Model 570/B570 30 lb. (13.6 KG) Stored Pressure Class D fire extinguisher contains Sodium Chloride dry powder which has been tested and approved by Factory Mutual Systems (FM) for use on the combustible metals listed in the table below. The heavy duty cylinder, valve assembly and hose/extension wand has been designed with innovative and dependable fire fighting capabilities as well as long life and ease of service. The unique soft flow extension applicator allows a continuous, even distribution of the dry powder agent while the operator stands a safe distance from the burning material. Easy to read instruction labels provide a quick and convenient guide to proper uses. This manual should be used as a guide for installing, operating and servicing this extinguisher. The best place to have your extinguisher serviced and recharged is your authorized Amerex distributor who has the professional experience and equipment to do it properly.

USE MODEL 570/B570 EXTINGUISHER ON CLASS D BURNING METALS ONLY

Extinguishing Capacity of Model 570/B570 <u>HAZARD</u>	Approximate Hazard Size	
	<u>AREA</u> (ft ²) (m ²)	<u>QUANTITY</u> (lbs) (kg)
Magnesium Chips	4 .37	6 2.72
Sodium Spill	5 .46	5 2.26
(depth over ½ inch [1.3 cm])	3 .27	6 2.72
Potassium Spill	5 .46	5 2.26
(depth over ½ inch [1.3 cm])	3 .27	6 2.72
Sodium Potassium Alloy Spill	3 .27	2 .90

The model 570/B570 extinguishers have been manufactured and tested in accordance with the applicable standards of Factory Mutual to ANSI/UL 711 and ANSI/UL 299. It also complies with industry standards as presented in the National Fire Protection Association Standard No. 10 "Standard for Portable Fire Extinguishers."

AMEREX CORPORATION DOES NOT SERVICE, MAINTAIN OR RECHARGE FIRE EXTINGUISHERS. THIS MANUAL IS PUBLISHED AS A GUIDE TO ASSIST QUALIFIED SERVICE PERSONNEL IN THE INSPECTION, MAINTENANCE AND RECHARGE OF AMEREX FIRE EXTINGUISHERS ONLY. NO INSTRUCTION MANUAL CAN ANTICIPATE ALL POSSIBLE MALFUNCTIONS THAT MAY BE ENCOUNTERED IN THE SERVICE OF FIRE EXTINGUISHERS. DUE TO THE POSSIBILITY THAT PRIOR SERVICE PERFORMED ON THIS EQUIPMENT MAY HAVE BEEN IMPROPERLY DONE, IT IS EXTREMELY IMPORTANT THAT ALL WARNINGS, CAUTIONS AND NOTES IN THIS MANUAL BE CAREFULLY OBSERVED. FAILURE TO HEED THESE INSTRUCTIONS COULD RESULT IN SERIOUS INJURY. AMEREX ASSUMES NO LIABILITY FOR SERVICE, MAINTENANCE OR RECHARGE OF FIRE EXTINGUISHERS BY PUBLISHING THIS MANUAL.

WARNINGS

USE THIS EXTINGUISHER ONLY ON CLASS D BURNING METALS. CLASS D FIRES NORMALLY GENERATE EXTREMELY HIGH HEAT. AMEREX RECOMMENDS THE USE OF PROTECTIVE CLOTHING AND SELF-CONTAINED BREATHING APPARATUS WHILE OPERATING THIS EXTINGUISHER.

TO AVOID RE-IGNITION AFTER A METAL FIRE HAS BEEN EXTINGUISHED, DO NOT MOVE THE REMAINS UNTIL THE METAL HAS COOLED.

SODIUM CHLORIDE BASED POWDER CAN BE VERY CORROSIVE, ESPECIALLY ON METALS. AFTER THE FIRE HAS BEEN EXTINGUISHED AND REMAINS HAVE COOLED, CLEAN ALL SURFACES CONTACTED BY THE DRY POWDER.

NEVER USE WATER ON A COMBUSTIBLE METAL FIRE. CHEMICAL AND PRESSURIZING GAS MUST BE MOISTURE FREE.

THIS EXTINGUISHER SHOULD BE PRESSURIZED WITH DRY ARGON ONLY.

PREPARING YOUR NEW EXTINGUISHER FOR USE

THIS MANUAL IS PACKAGED WITH EVERY NEW EXTINGUISHER SHIPPED FROM THE FACTORY. IT CONTAINS VALUABLE INFORMATION WHICH SHOULD BE STUDIED BY EVERYONE WHO WILL USE OR SERVICE THE EXTINGUISHER. THE MANUAL SHOULD BE STORED IN A CONVENIENT LOCATION FOR EASY REFERENCE.

1. Remove the Model 570/B570 and its discharge hose assembly from the shipping carton. Examine both for shipping damage.
2. Connect the wand assembly to the extinguisher hose male connector by retracing the locking sleeve on the wand female swivel coupling. Push the female coupling firmly onto the male swivel adapter and release the locking sleeve. Tug firmly on the wand to verify that the swivel coupling is completely engaged.
3. Arrange the discharge hose and extension applicator assembly in the retaining clips as shown in the installation diagrams on page 9.
4. Install your extinguisher in an accessible location with the top of the handle no more than 3½ feet (1 m) above the floor, the base at least 4 inches (.1 m) above the floor and near a doorway. **DO NOT INSTALL IT WHERE YOU WOULD HAVE TO WALK THROUGH A POTENTIAL FIRE LOCATION TO REACH IT!**
5. Do not place this extinguisher close to a potential fire hazard. Amerex recommends a location no less than 50 feet (15 m) from the hazard, leaving unobstructed access. Avoid placing it in an extremely hot or cold place. The operational temperature range is -40°F to +120°F (40°C to +49°C). Adequately protect the extinguisher if temperatures outside this range are anticipated. Keep the extinguisher clean and free from dirt, ice, chemicals and any contaminants that may interfere with its proper operation. **DO NOT FUNCTIONALLY TEST THIS FIRE EXTINGUISHER** – testing or any use may cause it to gradually lose pressure and become ineffective. Never throw any extinguisher in a fire as it could explode from heat/pressure buildup.

NOTE: Slight pressure variances in the gauge reading may be found if the extinguisher has been subjected to extremes of heat or cold. High temperatures can cause high gauge readings and low temperatures, low readings. When in doubt condition the extinguisher to 70°F (21°C) for several hours to obtain a more accurate pressure gauge reading.

6. Record the date the extinguisher is being placed into service on the inspection tag and attach it to the extinguisher.

IN CASE OF FIRE

1. HAVE EVERYONE EVACUATE THE AREA IMMEDIATELY!
2. CALL THE FIRE DEPARTMENT EVEN IF THE FIRE APPEARS TO BE SMALL! THE FIRE DEPARTMENT NUMBER SHOULD BE POSTED AT EACH TELEPHONE.
3. USE YOUR EXTINGUISHER PROPERLY AND ONLY ON THE TYPE OF FIRES LISTED ON THE NAMEPLATE (LABEL)!
4. TRAINED PERSONNEL SHOULD FIGHT LARGE FIRES!
5. BE PREPARED TO LEAVE THE AREA IF THE FIRE CANNOT BE IMMEDIATELY CONTROLLED!

OPERATION

CAUTION: Persons expected to use this extinguisher should be trained in its operation and in the proper fire fighting technique. "Hands-on" training will prepare personnel with the feel for this stored pressure extinguisher so that the most effective application can be utilized in an emergency situation. The basic operating instructions are contained in the pictogram portion of every extinguisher nameplate (label). The following elaborates on these instructions:

1. Hold the extinguisher upright. Twist and pull the ring pin snapping the plastic seal.
2. Extend the bell shaped nozzle over the fire.
3. Keep the extinguisher upright. Squeeze the lever to discharge the extinguisher. Cover all burning metal with dry powder until the fire is extinguished.

NOTE: If greater range is required, disconnect the wand assembly at the quick connect and use the hose to lob the chemical onto the fire. Be careful not to spread the fire surface when using this technique.

4. Reapply powder to visible hot spots.
5. To avoid re-ignition allow metal to cool before cleanup.
6. Evacuate and ventilate the area immediately after use. The fumes and smoke from any fire may be hazardous and can be deadly.

	<u>Model 570</u>	<u>Model B570</u>
Discharge Time (approximate)	30 seconds	24 seconds
Effective ranges:		
3-6 feet (with applicator)	1 – 2 m	1 – 2 m
8-10 feet (with nozzle)	2.5 – 3 m	2.5 – 3 m

RECHARGE FIRE EXTINGUISHER IMMEDIATELY AFTER ANY USE

INSPECTION

INSPECTION (NFPA-10) is a "quick check" intended to give reasonable assurance that an extinguisher is fully charged and operable. This is done by seeing that it is in its designated place, that it has not been actuated or tampered with, and that there is no obvious physical damage or condition to prevent operation.

PERIODIC INSPECTION PROCEDURES (Monthly or more often if circumstances dictate)

(NFPA-10) A "quick check" should be made of the extinguisher for the following:

1. Located in designated place.
2. No obstructions to access or visibility.
3. Operating instructions on nameplate and facing outward.
4. Seals and tamper indicators not broken or missing.
5. Determine fullness by weighing or "hefting".
6. Examine for obvious physical damage, corrosion, leakage or clogged nozzle.
7. Pressure gauge reading in the operable area.

MAINTENANCE

MAINTENANCE (NFPA-10) Maintenance should be performed at least once a year (or more frequently if indicated by an inspection). Maintenance is a "thorough check" of an extinguisher. It is intended to give maximum assurance that an extinguisher will operate effectively and safely. It includes a thorough examination and any necessary repair or replacement. It will normally reveal the need for hydrostatic testing.

MAINTENANCE PROCEDURE

1. Clean extinguisher to remove dirt, grease or foreign material. Check to make sure that the instruction nameplate and FM manifest are securely fastened and legible. Inspect the cylinder for corrosion, abrasion, dents or weld damage. If any of these conditions are found and you doubt the integrity of the cylinder, hydrostatically test to factory test pressure (585 psi [4035 kPa]), using the proof pressure method, in accordance with CGA Pamphlet C-6 and NFPA Pamphlet 10. See proper method of depressurizing and reclaiming chemical in "**Recharge Procedures**". **NOTE:** When cleaning avoid use of solvents around the pressure gauge. They could seriously damage the plastic gauge face.
2. Inspect the extinguisher for damaged, missing or substitute parts. Only factory replacement parts are approved for use on Amerex fire extinguishers.
3. Weigh extinguisher and compare with weight printed in the "**Maintenance**" section on the nameplate (label). Recharge extinguisher if weight is not within indicated allowable tolerances (see instructions in "**Recharge Procedure**").
4. Check the date of manufacture stamped on the bottom of the extinguisher for model B570 and on the wall hanger loop for Model 570. Cylinder must be hydrostatically (proof pressure) tested every 12 years to the test pressure indicated on the nameplate (585 psi [4035 kPa]).

5. Visually inspect the pressure gauge:
 - a. if bent, damaged or improper gauge, depressurize and replace
 - b. if pressure is low, check for leaks
 - c. if overpressurized (overcharged), depressurize the extinguisher and follow recharge instructions
6. Remove and check ring pin for freedom of movement. Replace if bent or if removal appears difficult.
7. Inspect the discharge lever for dirt or corrosion that might impair free movement. Inspect carrying handle for proper installation. If lever, handle or rivets are damaged, replace with proper Amerex parts.
8. Remove the extension applicator and hose by detaching the female swivel adapter from the hose and hose from the discharge valve. Inspect the hose, female swivel and extension applicator for damage. Make sure that the rubber o-ring inside the female swivel coupling is in place and in good condition. Replace damaged parts as necessary. Blow air through the hose and extension applicator assembly to insure that the passage is clear of foreign material and powder residue. Inspect the diffuser in the extension applicator horn – it must be tight to allow proper discharge characteristics.
9. Visually inspect the inside of the valve body (through the hose connection orifice). Appearance of powder in the valve may indicate that the extinguisher has been partially discharged and should be recharged.
10. Inspect the valve body for signs of corrosion or damage to the hose thread connection. Replace valve assembly as necessary following the depressurizing and recharge procedures. If valve removal is required complete all steps in the "**Recharge Procedure**".
11. Reconnect the extension applicator to the discharge hose male swivel coupling. Rotate the hose assembly several times to verify that the swivel operates freely (disconnect again and clean the inside of the female swivel with a small brush and compressed air if the rotation is impeded). Arrange the hose and extension applicator assembly according to the installation instructions on page 9.
12. Install new tamper seal and record service data on the extinguisher inspection tag.
13. Return to its proper location. Install on/in wall hanger bracket, vehicle bracket or dolly cart making sure that it fits properly. Replace mounting bracket if necessary.

RECHARGE

Recharging (NFPA-10) is the replacement of the extinguishing agent and also includes the expellant for this type of extinguisher.

WARNING:

1. **Before attempting to recharge be sure the extinguisher is completely depressurized.**
2. **Never have any part of your body over the extinguisher while removing the valve assembly.**
3. **Use a protective shield between you and the pressure gauge while charging an extinguisher. Do not stand in front of the gauge if a shield is not available.**

4. Use a regulated pressurizing source of **ARGON ONLY**. Set the regulator to no more than 220 psi (1520 kPa).
5. Check and calibrate regulator gauge at frequent intervals. The regulator gauge should be used to determine when the intended charging pressure has been reached. Do not use the extinguisher gauge for this purpose.
6. Never leave an extinguisher connected to a regulator of a high pressure source for an extended period of time. A defective regulator could cause the cylinder to rupture due to excessive pressure.
7. Do not mix types of chemicals in extinguishers, recharge or recovery systems. Mixing ABC, Regular, or Purple K dry chemicals with a dry powder agent could cause a serious flare up or explosion if the dry chemical were to contact a combustible metal fire.

RECHARGE PROCEDURE

1. Perform steps 1 through 4 of the "**Complete Maintenance (Six-Year Teardown)**" section including those required in the "**Maintenance Procedure.**"
2. Thoroughly clean all parts with a soft bristle brush or soft cloth. Blow the valve and downtube out with air or argon. Inspect the collar o-ring, valve stem, spring and downtube assembly – replace parts if worn or damaged. Lubricate the collar o-ring on the valve stem with Visilox V-711. **DO NOT LUBRICATE THE VALVE STEM SEAL.**
3. Reassemble the valve assembly, including downtube, and set aside.
4. Remove any dry powder remaining in the cylinder. Properly dispose of any dry powder that is contaminated or caked.
5. Inspect the cylinder interior following CGA Visual Inspection Standard, Pamphlet C-6.
6. Fill Amerex Model 570/B570 cylinder with 30 pounds (13.6 KG) of Amerex Super D (Sodium Chloride) dry powder. Use Amerex dry powder that has been kept moisture and contamination free.
7. Clean cylinder o-ring seat and threads inside of cylinder collar with a small brush and wipe surfaces with a clean damp cloth to remove dust. Lightly brush the collar o-ring seat with Visilox V-711. Install the operating valve/downtube assembly hand tight.
8. Attach the charging adapter to the valve discharge port.

WARNING: THIS EXTINGUISHER IS FACTORY PRESSURIZED USING ARGON. ARGON IS AN INERT GAS THAT WILL NOT ADVERSELY REACT WITH COMBUSTIBLE METALS. NITROGEN PRESSURIZING GAS COULD CAUSE A REACTION WHEN USED ON CERTAIN TYPES OF COMBUSTIBLE METAL FIRES. DRY AIR PRESSURIZATION SHOULD NEVER BE USED, AS EVEN THE SLIGHTEST AMOUNT OF MOISTURE WILL CAUSE A VIOLENT REACTION WITH CLASS D MATERIALS.

9. With the extinguisher properly secured in an upright position, connect your argon pressurizing line with a quick connect to the charging adapter. Set the Argon supply cylinder regulator to no more than 220 psi (1520 kPa). Depress the extinguisher operating valve lever and pressurize

the extinguisher with argon to 195 psi (1345 kPa). When the desired pressure has been reached, release the operating lever. Shut off Argon supply and remove the quick connect.

10. Remove the charging adapter. Check extinguisher for leaks by applying leak detecting fluid or a solution of soapy water to the valve discharge orifice, around the collar o-ring sealing area, cylinder welds and gauge. Remove leak detecting fluid from valve assembly by blowing out with air or argon. Wipe exterior of extinguisher to remove any remaining residue.
11. Install the hose assembly to the operating valve. Reconnect the female swivel on the extension applicator to the male swivel on the hose. Rotate the hose assembly several times to verify that the swivel operates freely. Disconnect and clean the inside of the swivel female with a small brush and compressed air if rotation is impeded. Install hose and extension applicator according to instructions on page 9.
12. Install ring pin and tamper seal. Record recharge date and attach new recharge tag.
13. Weigh assembled extinguisher and confirm that the total weight is within the allowable tolerances indicated in the "**Maintenance**" section of the nameplate (label).

COMPLETE MAINTENANCE (SIX YEAR TEARDOWN)

Complete Maintenance (Six Year Teardown) [NFPA-10] Every six years, stored pressure extinguishers that require a 12 year hydrostatic test shall be emptied and subjected to the applicable maintenance procedures. When the applicable maintenance procedures are performed during periodic recharging or hydrostatic testing, the six year requirement shall begin from that date.

Note: some states require Complete Maintenance on an Annual Basis. Check with your Amerex servicing distributor to see if this applies to you. NFPA-10 requires that a "verification of service" external collar tag be installed on the extinguisher whenever "Six Year Maintenance" is performed. The "verification of service" tag can only be installed if the operating valve has been removed. A "Six Year Maintenance" service decal must also be attached to the extinguisher cylinder.

COMPLETE MAINTENANCE (SIX YEAR TEARDOWN) PROCEDURE

1. Discharge powder and pressure into a "closed" dry powder recovery system (several are commercially available). Make sure that the extinguisher is completely empty and depressurized.

CAUTION: Do not contaminate by mixing with other types of dry powder or dry chemical.

2. Perform all required maintenance in Steps 1 through 8 of "**Maintenance Procedure**" (Annual).
3. **VERIFY THAT NO PRESSURE REMAINS IN THE EXTINGUISHER** (slowly squeeze discharge lever, aiming away from persons or objects which might be injured or damaged), Remove the valve assembly from the cylinder and inspect it for signs of corrosion or damage to the threads. Replace parts as necessary.
4. Disassemble valve assembly by removing the downtube, spring and valve stem assembly. Remove the collar o-ring from the valve assembly.
5. Complete steps 2 through 13 of Recharge Procedure.

TROUBLESHOOTING GUIDE

WARNING: CHECK TO DETERMINE THE SOURCE OF A LEAK BEFORE THE EXTINGUISHER IS DEPRESSURIZED. LEAKAGE REPAIRS WILL REQUIRE DEPRESSURIZATION OF THE EXTINGUISHER AND REMOVAL OF THE VALVE ASSEMBLY. DEPRESSURIZE BY HOLDING THE EXTINGUISHER IN AN INVERTED POSITION AND SLOWLY SQUEEZING THE DISCHARGE LEVER. SOME POWDER REMAINING IN THE DOWNTUBE WILL BE EXPELLED SO CARE SHOULD BE TAKEN IN THE AREA BEING USED FOR DEPRESSURIZING. DO NOT DIRECT DISCHARGE TOWARD ANY PERSON OR OBJECT WHICH COULD BE INJURED OR DAMAGED. THOROUGHLY CLEAN ALL VALVE PARTS AFTER DEPRESSURIZATION AND VALVE REMOVAL.

PROBLEM	CORRECTIVE ACTION
1. Leak at operating valve collar o-ring.	Remove valve assembly, clean collar thoroughly and install new collar o-ring. Lubricate with Visilox V-711.
2. Leak through valve.	Install new valve stem assembly. Check valve seat for scratches or foreign matter. Install new valve stem assembly.
3. Leak around gauge threads.	Remove gauge* and reinstall using Teflon tape on the gauge threads.
4. Defective gauge.	Remove defective gauge* and install new P/N 03965 195 psi (1345 kPa) gauge using Teflon tape on the gauge threads.
5. Leak in the cylinder,	Contact Amerex if under warranty, otherwise – mark "Rejected" and remove from service or return to owner.

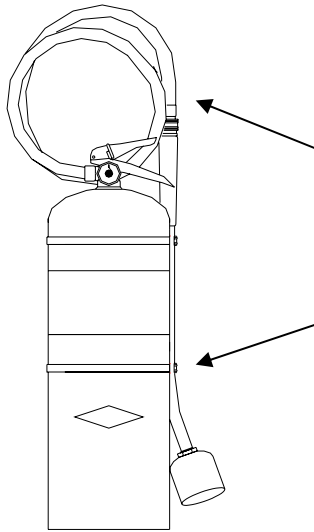
* Pressure gauge threads are coated with a special epoxy at the factory. For easy removal soak the valve assembly in hot water (180°F [82°C]) for two to four minutes. Remove gauge with a 1/16" open end wrench.

SIX YEAR LIMITED WARRANTY

Amerex warrants its fire extinguishers to be free from defects in material and workmanship for a period of six (6) years from the date of purchase. During the warranty period any such defects will be repaired or the defective extinguisher replaced if the original gray tamper seal is intact and/or if only factory replacement parts and recommended service have been used to service the extinguisher. This warranty does not cover defects resulting from modification, alternation, misuse, exposure to unusually corrosive conditions nor improper installation or maintenance. All implied warranties, including but not limited to warranties of fitness for purpose and merchantability, are limited to the time periods as stated above. In no event shall Amerex Corporation be liable for incidental or consequential damages. Some states do not allow limitations on how long an implied warranty lasts or the exclusion or limitation of incidental or consequential damages, so that the above limitations or exclusions may not apply to you. Amerex Corporation neither assumes nor authorizes any representative or other person to assume for it any obligation or liability other than as expressly set forth herein. This warranty gives you specific legal rights and you may also have other rights that vary from state to state. To obtain performance of the obligation of this warranty write to Amerex Corporation, P.O. Box 81, Trussville, Alabama 35173 for instructions.

MOUNTING INSTRUCTIONS
For
Hose and Extension Applicator
Model 570/B570

Extinguisher Installation

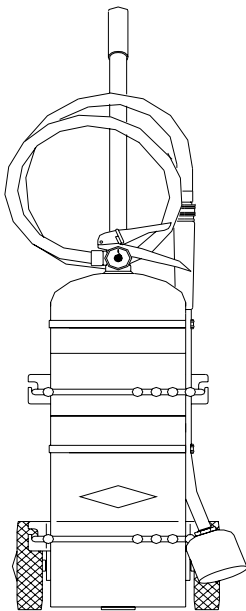
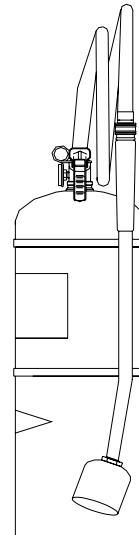


Step 1

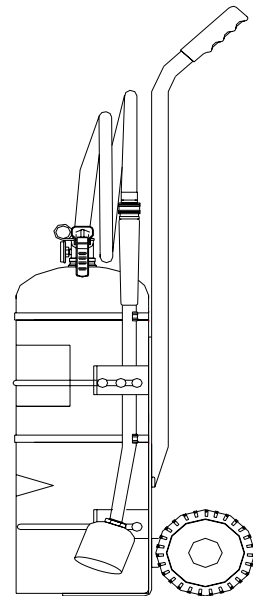
Install the hose into the Valve Assembly. Loop the hose as shown.

Step 2

After looping the hose, snap the Extension Applicator into both clips with the bottom of the rubber handle grip resting on the top clip.

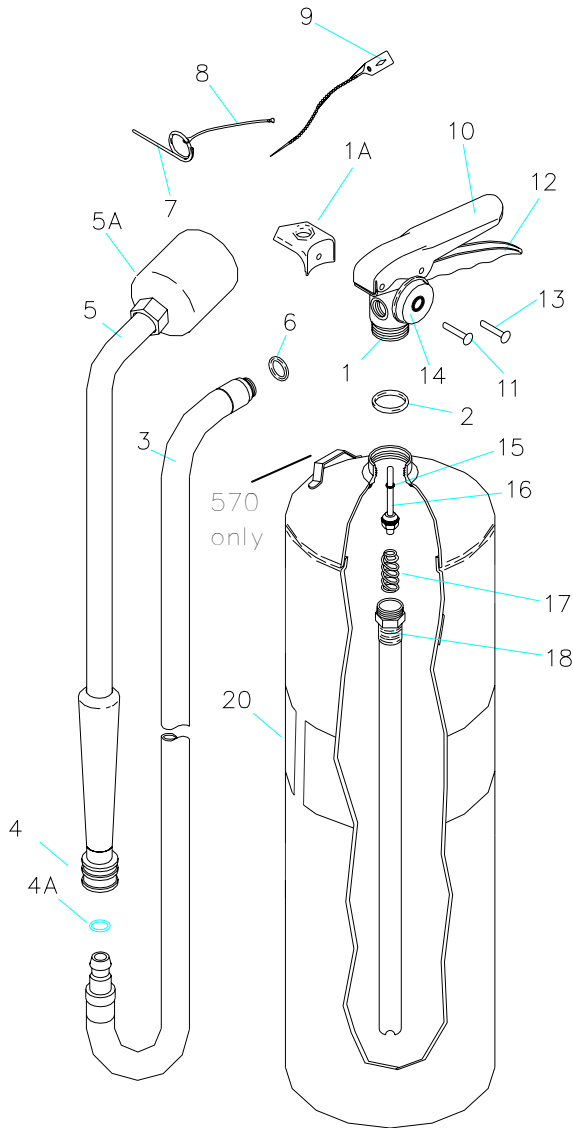


Place the extinguisher into the model 589 dolly and fasten the rubber "bungee" straps around the cylinder. Install the hose and extension applicator into both clips as instructed above (steps 1 & 2). **DO NOT INSTALL THE RUBBER STRAPS OVER THE HOSE & APPLICATOR.**





PARTS LIST
For
30 Lb. Class D Sodium Chloride Dry Powder
Extinguisher with Hose & Extension Applicator
(Brass Valve)
Model 570/B570



Item No.	Part No.	Description	Std. Pkg.
1	11952	Valve Assembly	
1A	17144	Hanger Loop & Screw B570	1
2	05240	Collar O-Ring	24
		Collar O-Ring (bulk bag)	100
3	10744	Hose Asy w/½ " Male Quick Connect	1
4	10802	½ " Female Quick Connect	1
4A	09073	O-Ring for Quick Connect	
5	10800	Extension Applicator	
5A	14595	Horn Blk Cl-D	1
6	06978	Hose Gasket (o-ring)	24
7	00160	Ring Pin – stainless steel	24
8	00532	Chain (nylon) for Ring Pin	24
9	01387	Lock Wire Seal (Yellow)	500
10	07762	Lever & Rivet	1
11	01563	Rivet only for lever	24
12	09020	Handle & Rivets	1
13	01564	Rivets only for Handle (2 required)	24
14	03965	Gauge – 195 psi	6
15	05243	Valve Stem O-Ring	24
16	06093	Valve Stem Assembly	6
		Valve Stem Assembly (bulk bag)	96
17	17139	Spring	6
18	17215	D'tube/Retainer Asy (model 570)	1
	17214	D'tube/Retainer Asy (model B570)	
19	16904	Strap & Hose Clip Asy (black plastic)	1
		3/8" (2 reqd. per extinguisher)	
20	08281	Label (Fire Ratings)	1
21	01007	Wall Hanger Bracket 570	
21A	00577	Wall Hanger Bracket B570	1
22	12383	Protective Ring for Btm of Cyl – 570	1
	12952	Protective Ring for Btm of Cyl – B570	
23	03038	Hydrotest Adapter	1
24	02141	Fill Adapter, Hansen Quick Connect	1
		Type 5/8" UNF Thread	
NOTE:		All valve assemblies include new valve body, gauge, lever and handle	

