



PRODUCT ADVISORY UPDATE

MRM II

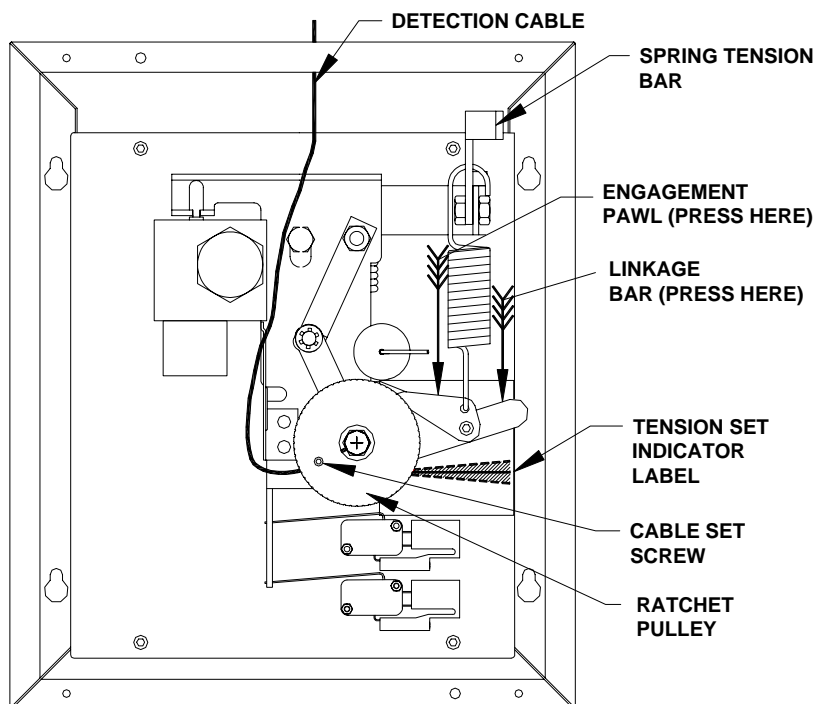
The new MRM II combines the features and functionality of the 11977 MRM along with increased detection capabilities and a simpler means of setting the detection cable tension. The MRM II is available in the following configurations, now pre-installed in its own enclosure:

P/N 18000: MRM II with red-painted steel enclosure

P/N 18001: MRM II with stainless steel enclosure

The method of setting the detection cable tension on the MRM II does not require the use of any tools (once the cable is locked down into the large, knurled wind-up spool). The linkage bar to the right of the spool is used to increase the cable tension. There is a label on the mounting plate to indicate when the proper tension has been reached. In addition to being easier to set up, lowering cable tension to change out detection links is now also much simpler.

The MRM II gives you a greater number of corner pulleys and detector brackets to use in your detection network. The number of corner pulleys has increased to 30 and detector brackets have increased to 30, also. You now have the capability of utilizing 200 feet of cable in your detection network.



Instructions on Setting the MRM II

Setting Detection Cable Tension, New MRM II (P/N 18000 and 18001):

Refer to the following images in this section for properly setting the detection cable tension:

1) To set the tension on the cable, first make sure that the tension bar in the MRM is in the “down” position and that the spring is relaxed. Lower the top hook of the blue spring into the bottom of the tension bar slot.

Caution: Do not attempt to set the tension bar in the “up” position (spring stretched) without having a fusible link line installed and secured or the MRM will fire. Take additional caution; DO NOT install the Nitrogen Actuation Cylinder at this time.

2) Feed the cable end into the small hole in the side of the ratchet pulley. The end of the cable must be cleanly cut. Push the cable into the hole until the end is visible at the head of the central hex-bolt. Securely tighten the Allen-head set screw onto the cable. Aside from the use of the cocking tool, no further tools should be used to set the mechanism. [The cable may be routed from either the bottom or the top of the MRM II; the ratchet pulley will always turn counter-clockwise to remove cable slack].

3) Spool up the excess cable slack by turning the ratchet pulley counter-clockwise by hand. Continue to hold the ratchet pulley while proceeding to the next step.

4) While maintaining the position of the ratchet pulley with your left hand, press down on the engagement pawl and the linkage bar with your index and middle fingers of your right hand in order to begin the final tensioning process. You will feel and hear the pawl click several times as tension is taken up.

5) Inspect your progress by pulling the upper hook of the blue spring into the top notch of the tension bar; then raise the tension bar. Refer to the illustrations for proper setting. Repeat steps 1-5 until the bottom of the linkage bar is essentially horizontal, and is aligned within the gray “pie” zone of the indicator label. Lower tension bar until system is ready to test.

