



GreaseOut DETECTION SEAL

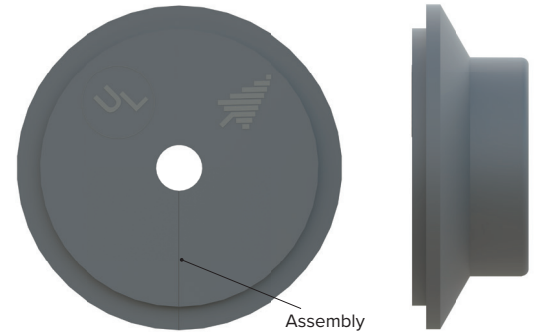


Maintaining your Kitchen Protection System just got easier with the new **Amerex GreaseOut Detection Seal**. Developed

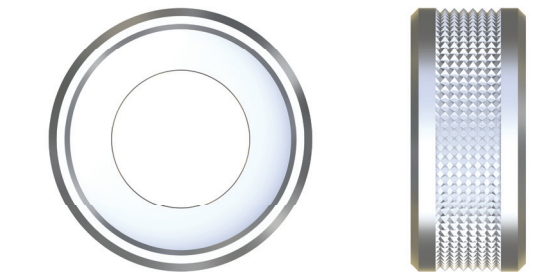
in collaboration with Evergreen Tool Company, this innovative product safeguards against grease ingress in the detection line conduit of mechanical kitchen fire suppression systems.

Rigorously tested by UL, the GreaseOut Detection Seal creates a robust barrier between the grease-laden environment of kitchen hoods and the detection network of the Amerex KP System. This ensures optimal performance and reliability in even the harshest conditions.

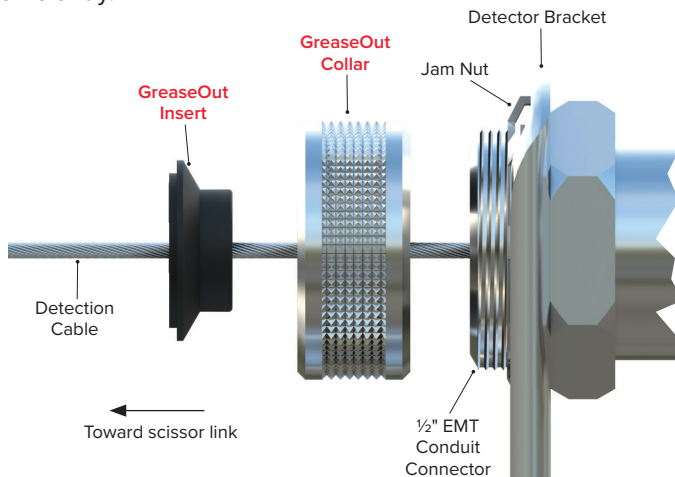
GreaseOut takes the hard work out of maintaining your detection systems. **By effectively preventing grease intrusion, it ensures that detection lines and conduits remain clear of buildup.** This minimizes any potential detection hindrances, keeping your systems running smoothly and efficiently.



GREASEOUT INSERT



GREASEOUT COLLAR



EXPLODED, UNASSEMBLED VIEW OF GREASEOUT

NETWORK LIMITATIONS:

When utilizing the Amerex GreaseOut Detection Seal, the following detection network restrictions apply:

- 20 detector brackets max
- 25 corner pulleys max
- 175 feet of detection cable max

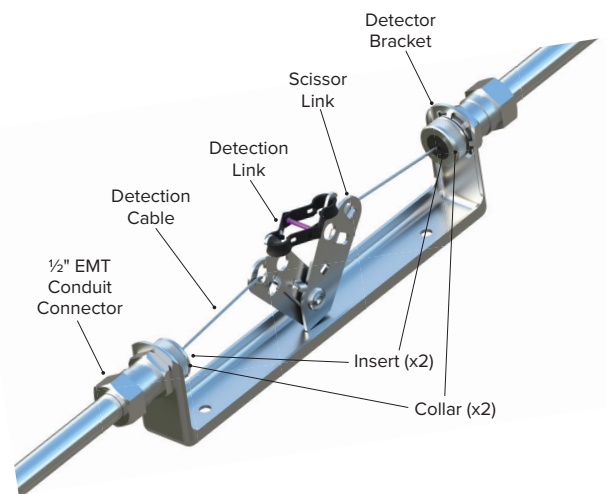
MAINTENANCE REQUIREMENTS:

The GreaseOut inserts only **shall be replaced every 6 months at minimum** during semi-annual inspections, as well as any time there is a system discharge.

The GreaseOut can be ordered as follows:

(P/N 28250) Assembly package including a 24 count of GreaseOut inserts and collars.

(P/N 28251) 48 pack of GreaseOut inserts for replacements.



DETECTOR BRACKET WITH GREASEOUT DETECTION SEAL

December 2024

Quality is Behind the Diamond®

7595 Gadsden Hwy.
P.O. Box 81
Trussville, AL 35173

(205) 655-3271
customer.service@amerex-fire.com
intl.sales@amerex-fire.com

www.amerex-fire.com
www.webstore.amerex-fire.com